

NAD-4000 Series

METAL DETECTOR FOR ALUMINUM-PACKAGED PRODUCTS



NAD4000 Series metal detector detects even the smallest metal particles safely and reliably in every type of aluminum-packaged products. Compared with X-Ray scanners, NAD 4000 Series overcomes the high density differences in product or high evaluation thresholds due to variations in the production process. The intelligent, passive magnetic surface sensor works without wear, contrary to X-Ray scanners, and is easy to operate as the systems works without X-Rays. Wet and salty products such as cheese and meats do not affect detecting performance. Wires, chips and broken injection needles are reliably detected irrespective of product orientation.



- Without hazardous X-Rays
- Wear - free detecting system
- No need to care about "product effect" & "not temperature"
- Usable with every type of aluminum - packaged products
- Configurable Passing Height (Min. 50 ~ Max. 150mm by every 10.0mm)
- Password Setup Function
- Low investment and maintenance cost
- No need to be certified or inspected by government law
- Product orientation does not influence the signal strength
- Easy to learn & No need to train an operator
- Connectivity to Various External Devices
- Manageable Metal Detecting History
- Easy Software Update

Application



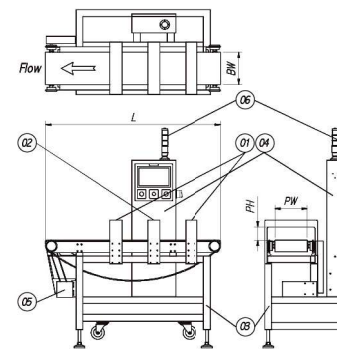
METAL DETECTOR FOR ALUMINUM-PACKAGED PRODUCTS



NAD-4000 Series

Specification

Model Name		NAD4000-2505 - 2515
Machine Width (MW)		630mm
Conveyor Size	Length (CL)	Min. 1,400 ~ Max. 1,800 (Every 100mm) (Min. 1,300 is possible for rejecter type)
	Height (CH)	Min. 650mm (+/-50 & 100mm)
	Width (CW)	390mm
Belt Width	Plastic Belt (BW)	240mm
	Urethane Belt (BW)	250mm
Belt Speed	Plastic Belt	20 ~ 42m/min.
	Urethane Belt	20 ~ 37m/min.
Product Passing Height (PH)		Standard (90mm) Min. 50 ~ Max. 150mm
*Configurable by every 10mm / from the belt surface		
Product Passing Width	Plastic Belt (PW)	240mm
	Urethane Belt (PW)	250mm
Testing Product Size	Width (W)	Less than 240mm
	Height (H)	Less than 150mm
Display		10 inch 15.7 color TFT LCD Screen (Resolution: 800 x 480)
Control		Touch Screen, Power Switch, Conveyor Switch & Emergency Switch
Preset		Max. 1C items (Expandable upon request)
IP Level (Conveyor)		IP-55
Relay Ports		AC SSR Relay (8A) SPST NO (Form A): 4 ports DC PhotoMOS (1A) SPST NO (Form A): 4 ports
Inputs		8 ports
Material of Protection Cover		PC (Polycarbonate)
Tower Lamp		Green & Red (2 Colors) / Buzzer
External Printer (Cptional)		HP-320
Rejecters (Optional)	AB	Air Blast
	FB	Flip Bar (Separable Type)
Allowable in-feed load		Around 1.0 Kg / Piece
Unit Weight:		Approx. 80.0 kg (Standard Conveyor Length: 1,400mm)
Estimated Sensitivity (Ferrous & Stainless Steel 304)		1.0mm under passing height (50mm)
*based on regular hexahedron test pieces provided by Nowsystems		1.5mm under passing height (100mm)
		2.0mm under passing height (150mm)



- Outputs**
- > AC Output: 4 ports / 24V Output: 4 ports
- Power Supply**
- > Single Phase (110 to 220V) & Three Phase (220 to 380V and etc..)
 - > Free Cycle (50/60Hz)
 - > Fuse (3A)
- Operating Temperature**
- > 0°C to 50°C (advised to use the machine under normal temperature)

No	Description	Material
1	SENSOR	-
2	MAGNET	-
3	CONVEYOR FRAME	SUS304
4	CONTROL BOX	SUS304
5	MOTOR	-
6	TOWER LAMP	-